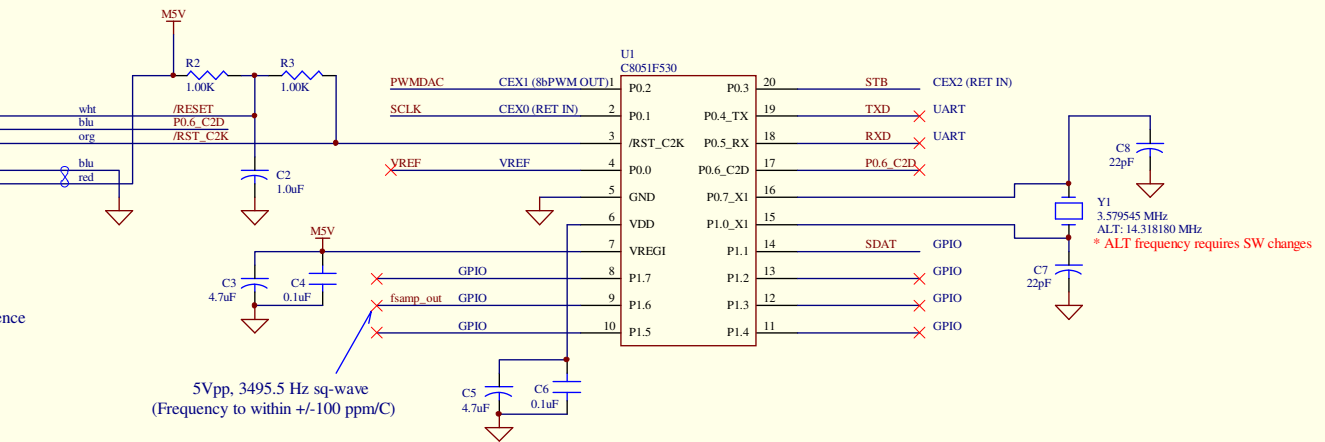
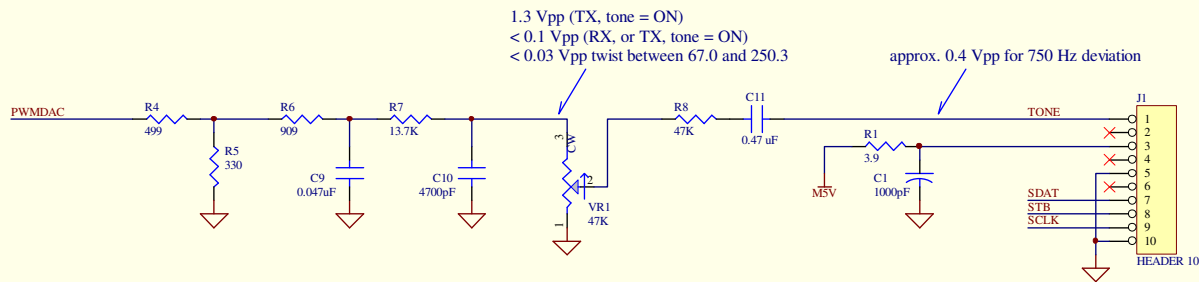


Programming cable
(temporarily attached when needed)

See <https://keOff.github.io/Orion/silabspgm.pdf> for programming reference

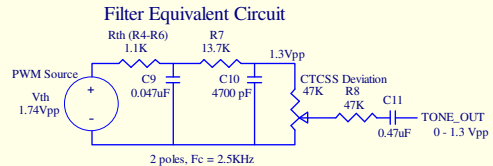


5Vpp, 3495.5 Hz sq-wave
(Frequency to within +/-100 ppm/C)



1.3 Vpp (TX, tone = ON)
< 0.1 Vpp (RX, or TX, tone = ON)
< 0.03 Vpp twist between 67.0 and 250.3

approx. 0.4 Vpp for 750 Hz deviation



| | | | | | |
|-------|--|-------------------|------------------------|----------|---|
| Title | | | IC-901 Tone Unit Clone | | |
| Size | Number | ToneUnitClone_sch | | Revision | - |
| Date: | 21-May-2021 | Sheet of | 10 | | |
| File: | C:\Users\User\Documents\Iffsys\Radio data\IC-901\CTCSS_ENC_CLONE | | | | |

designer: Joseph Haas, keOff
drawn by: Joseph Haas, keOff