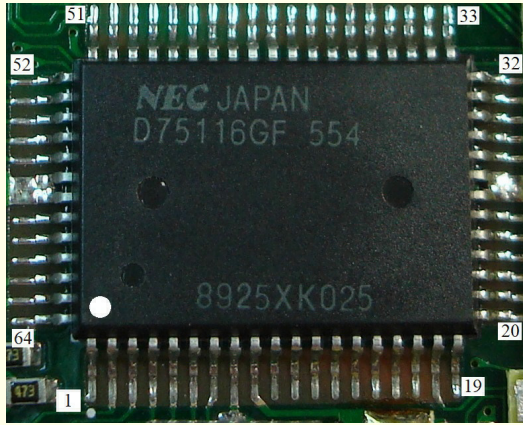
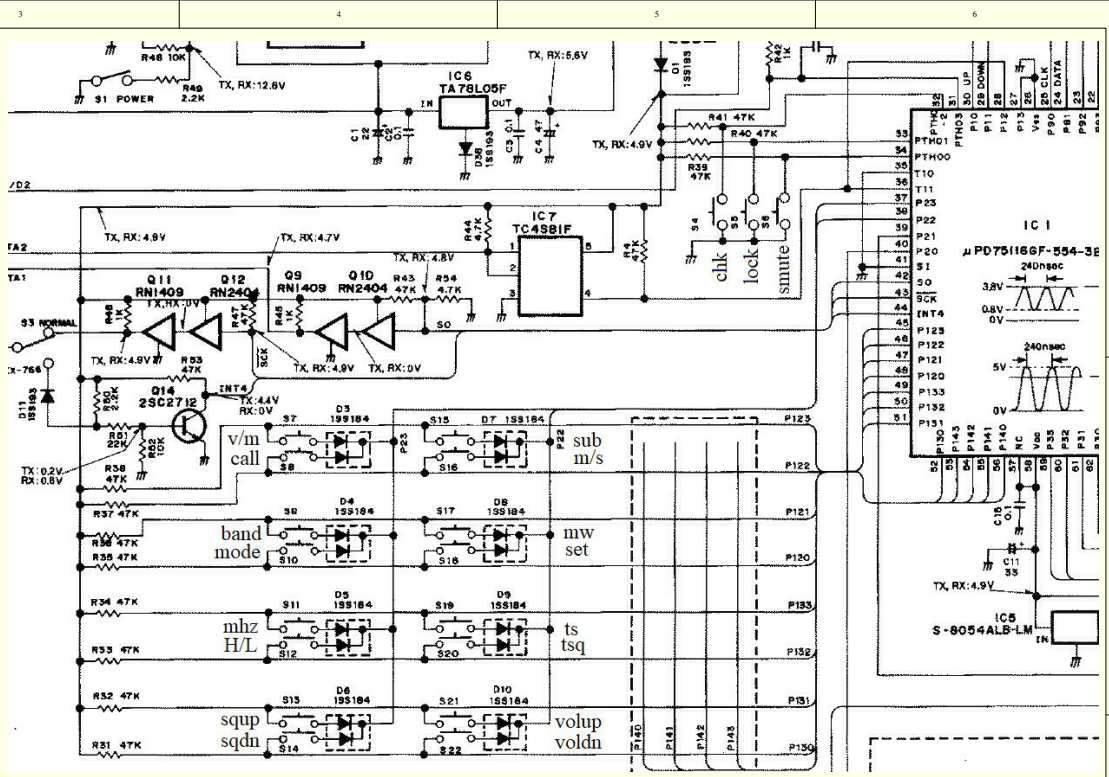
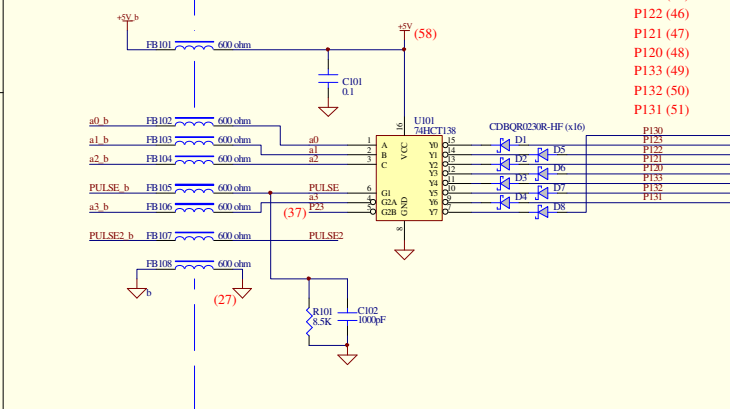


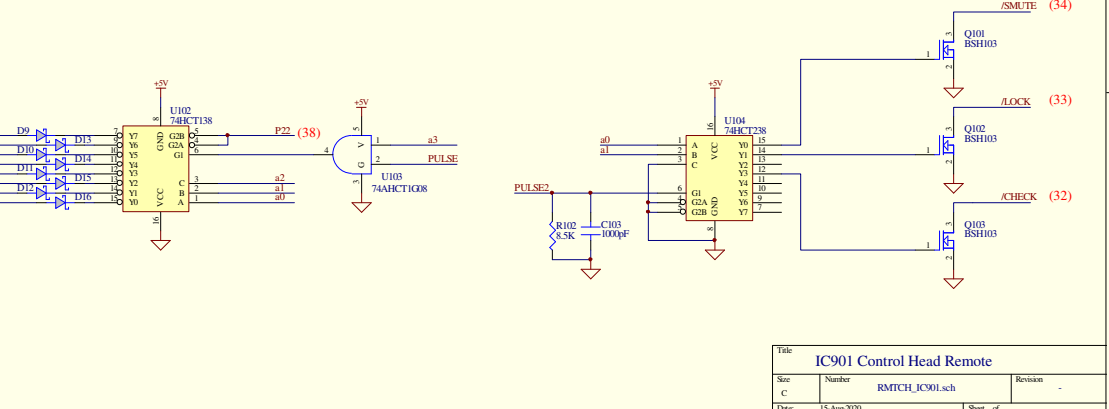
BT MODULE
IC-901 Control Head



- P130 (52)
- P123 (45)
- P122 (46)
- P121 (47)
- P120 (48)
- P133 (49)
- P132 (50)
- P131 (51)



NOTES:
1) Numbers in parenthesis () indicate pin number of IC1 on IC901 control head PCB.
2) Control head circuits added as SCAB elements on IC-901 control head PCB (SCAB = Supplemental Circuit Addition Board).
3) Bluetooth module mounted on separate PCB attached to back side of control head enclosure.



Title			
IC901 Control Head Remote			
Rev	Number	RMTCB_IC901.sch	Revision
Date	15_Aug 2020	Sheet of	
File	C:\Users\user\Desktop\lfray\Bletooth\RMTCB_IC901.dwg	Sheet of	